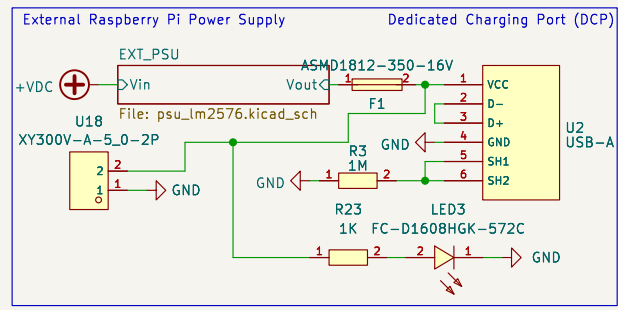
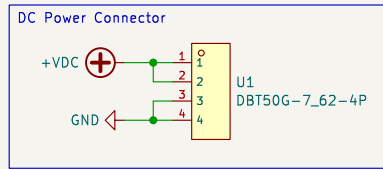
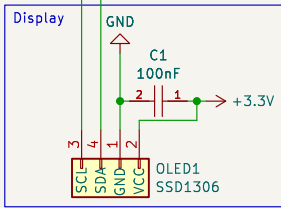
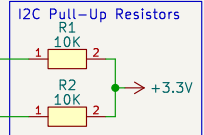
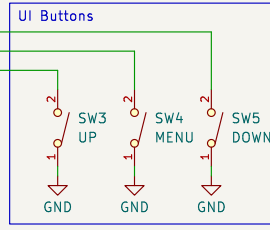
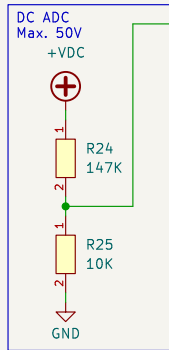
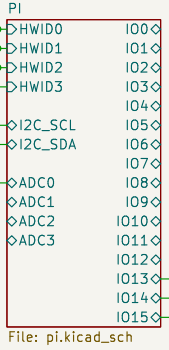


- Mechanical**
- H11 MountingHole
  - H12 MountingHole
  - H13 MountingHole
  - H14 MountingHole

Hardware ID:  
0000 = Mainboard

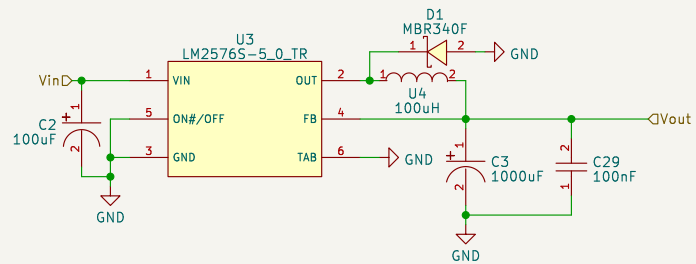


Copyright (c) 2023 – 2024 Thomas Buck <thomas@xythobuz.de>  
 PCB Thickness: 1mm  
 Licensed under the CERN-OHL-S-2.0+  
<https://git.xythobuz.de/thomas/Dispensy>  
**DrinkRobotics**

Sheet: /  
 File: dispensy.kicad\_sch

**Title: Dispensy Mainboard**

Size: A4	Date: 2024-04-06	Rev: 1
KiCad E.D.A. 8.0.1		Id: 1/4



Copyright (c) 2023 – 2024 Thomas Buck <thomas@xythobuz.de>  
 PCB Thickness: 1mm  
 Licensed under the CERN-OHL-S-2.0+  
<https://git.xythobuz.de/thomas/Dispensy>

**DrinkRobotics**

Sheet: /EXT\_PSU/  
 File: psu\_lm2576.kicad\_sch

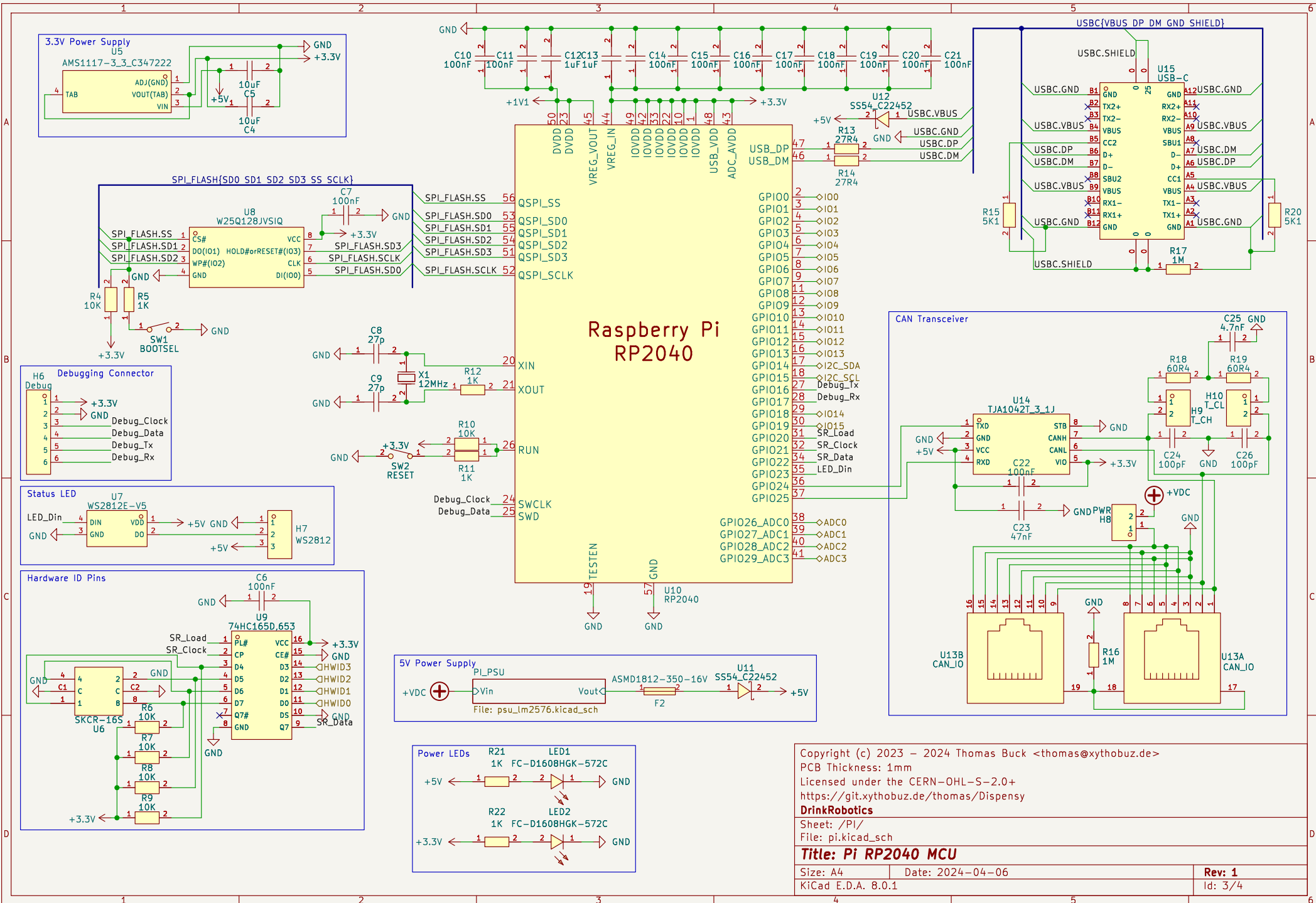
**Title: LM2576 5V Power Supply**

Size: A4 Date: 2024-04-06

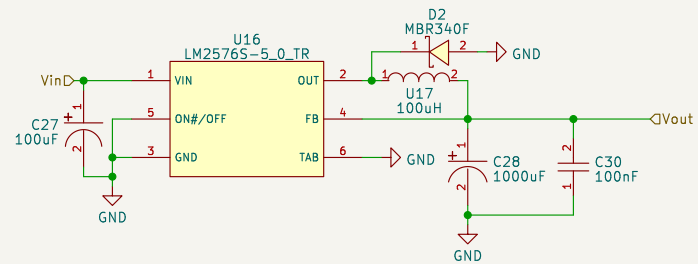
KiCad E.D.A. 8.0.1

**Rev: 1**

Id: 2/4



Copyright (c) 2023 – 2024 Thomas Buck <thomas@xythobuz.de>  
 PCB Thickness: 1mm  
 Licensed under the CERN-OHL-S-2.0+  
<https://git.xythobuz.de/thomas/Dispensy>  
**DrinkRobotics**  
 Sheet: /PI/  
 File: pi.kicad\_sch  
**Title: Pi RP2040 MCU**  
 Size: A4 Date: 2024-04-06  
 KiCad E.D.A. 8.0.1 Rev: 1  
 Id: 3/4



Copyright (c) 2023 – 2024 Thomas Buck <thomas@xythobuz.de>  
 PCB Thickness: 1mm

Licensed under the CERN-OHL-S-2.0+  
<https://git.xythobuz.de/thomas/Dispensy>

**DrinkRobotics**

Sheet: /PI/PI\_PSU/  
 File: psu\_lm2576.kicad\_sch

**Title: LM2576 5V Power Supply**

Size: A4 Date: 2024-04-06

KiCad E.D.A. 8.0.1

**Rev: 1**

Id: 4/4